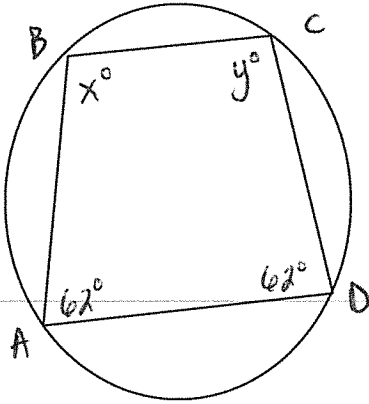


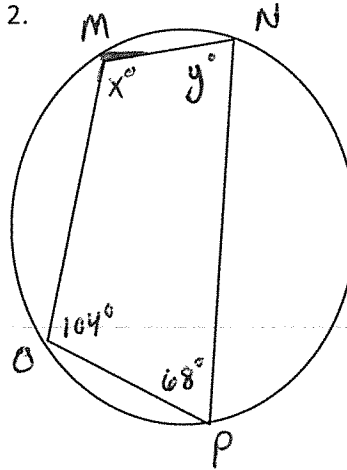
Circumscribed Angles
Unit 7: Circles

Find the values of the variables:

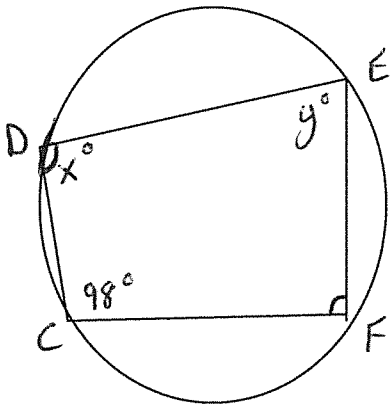
1.



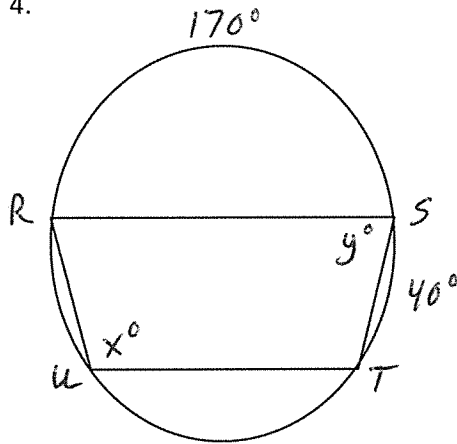
2.



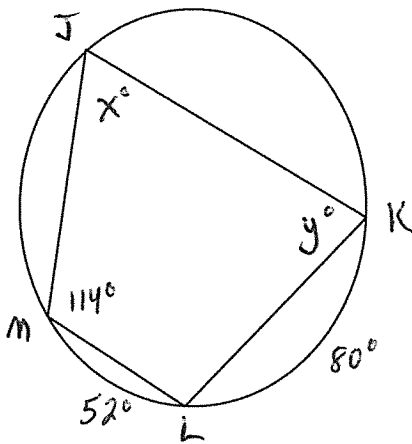
3.



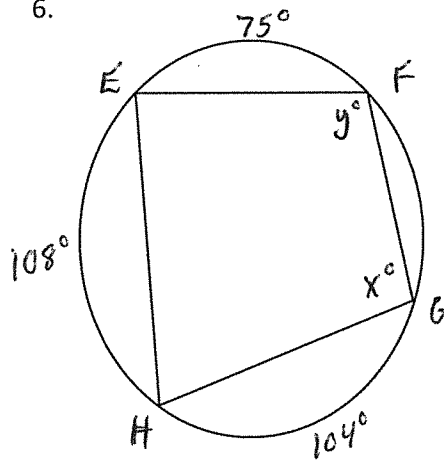
4.



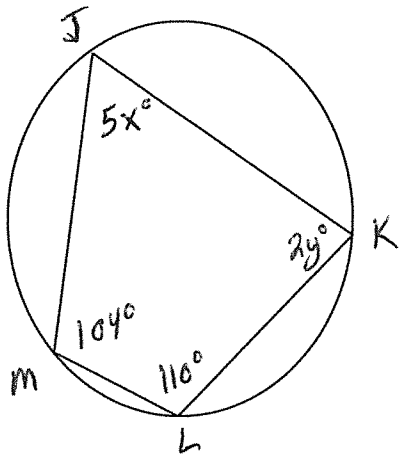
5.



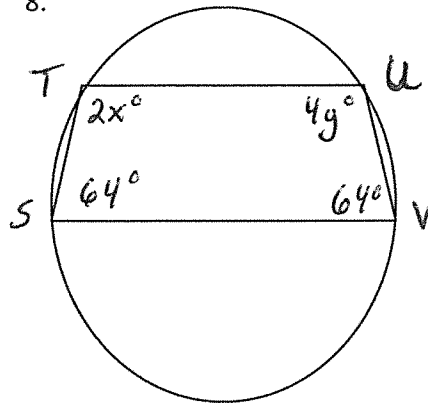
6.



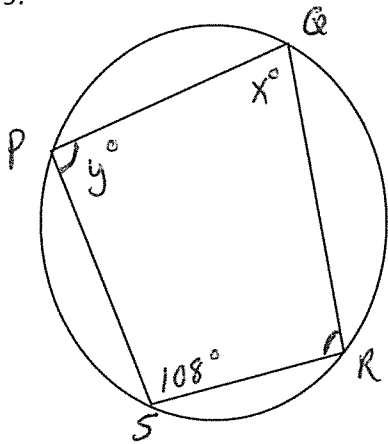
7.



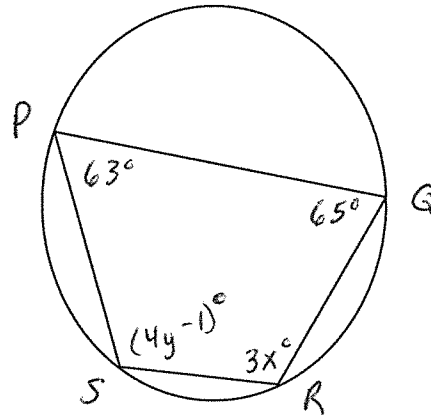
8.



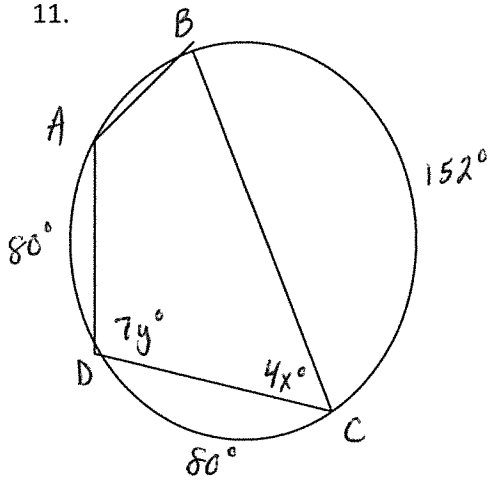
9.



10.



11.



12.

