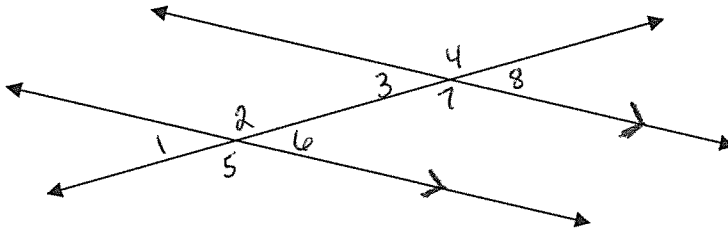


**Parallel Lines – Day 2**  
Unit 4: Similarities



Identify each of the following:

1. List all the pairs of Corresponding Angles.

2. List all the pairs of Alternate Interior Angles.

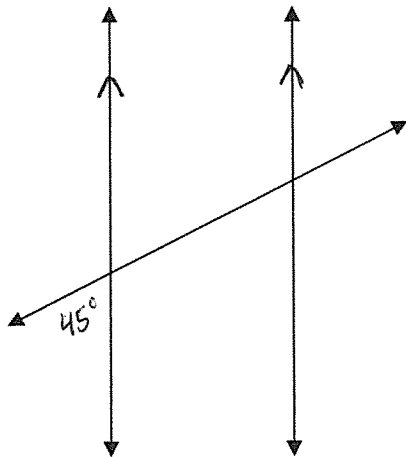
3. List all the pairs of Alternate Exterior Angles.

4. List the Same-Side Interior Angles.

5. List all of the Vertical Angles.

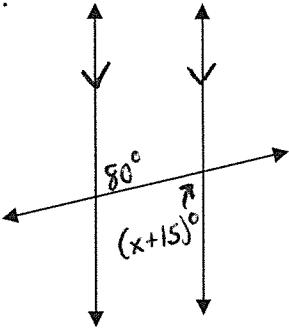
---

6. Find the measure of each of the missing angles.

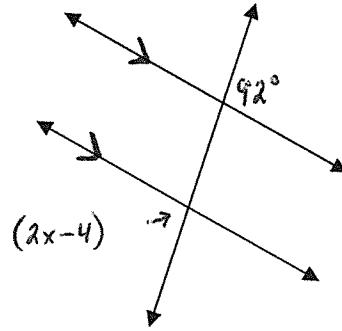


Find the value of variables:

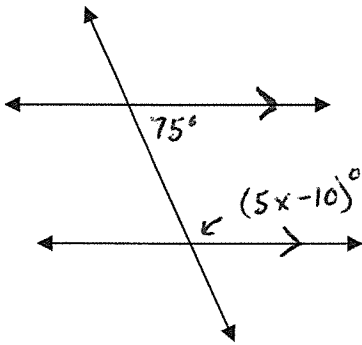
7.



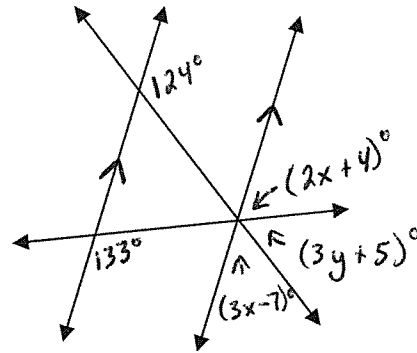
8.



9.



10.



Write a Congruence Statement for the following Triangles:

11.

