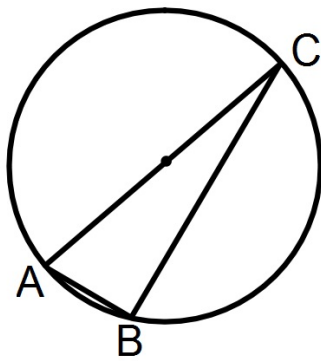


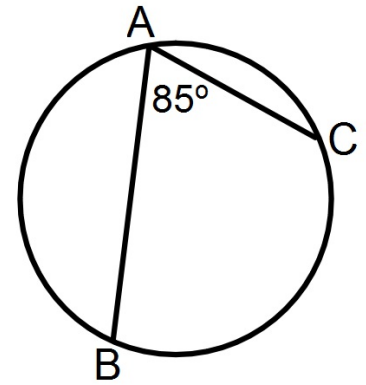
## Bellwork

Find the indicated measure:

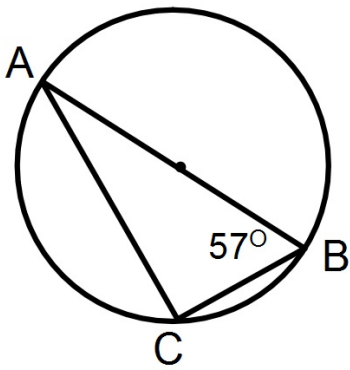
1.  $m\angle B$



2.  $m\widehat{BC}$



3.  $m\widehat{BC}$



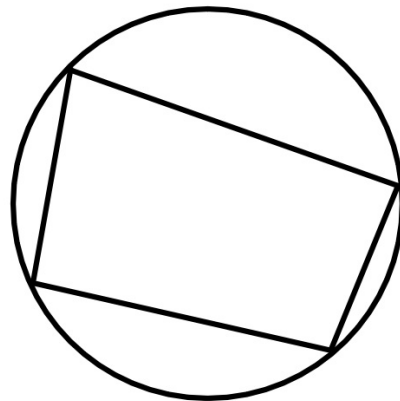
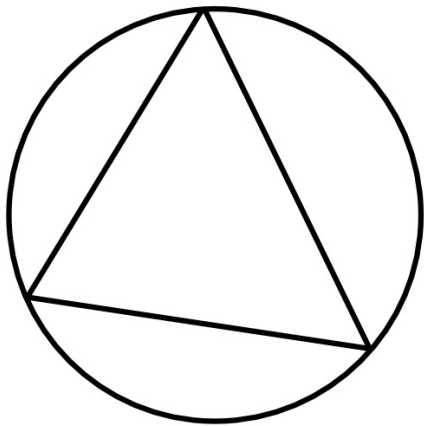
## One Problem and Two Figures?

Inscribed Polygon:

A polygon that has all of its vertices on a circle.

Circumscribed Circle:

A circle containing an inscribed polygon.

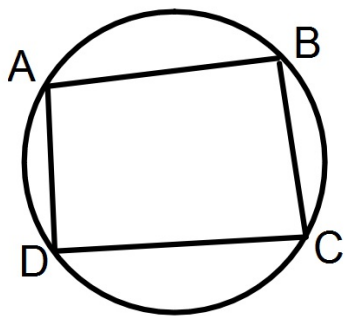


## Theorem of Focus

There are several items that we can talk about here, but we will focus on the following:

Inscribed Quadrilateral Theorem:

A quadrilateral can be inscribed in a circle if and only if its opposite angles are supplementary.



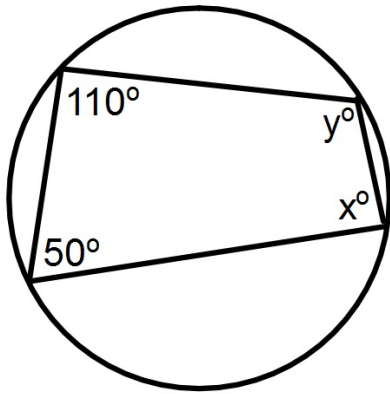
$$\angle A + \angle C = 180$$

$$\angle B + \angle D = 180$$

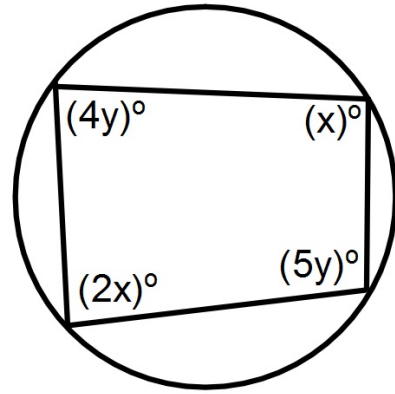
## Examples

Find the values of the variables:

1.



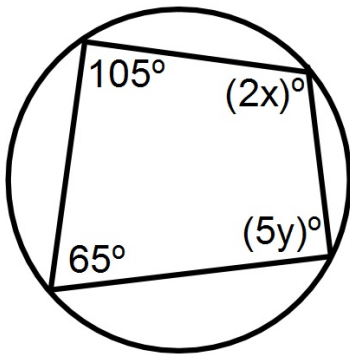
2.



## Examples

Find the values of the variables:

3.



4.

